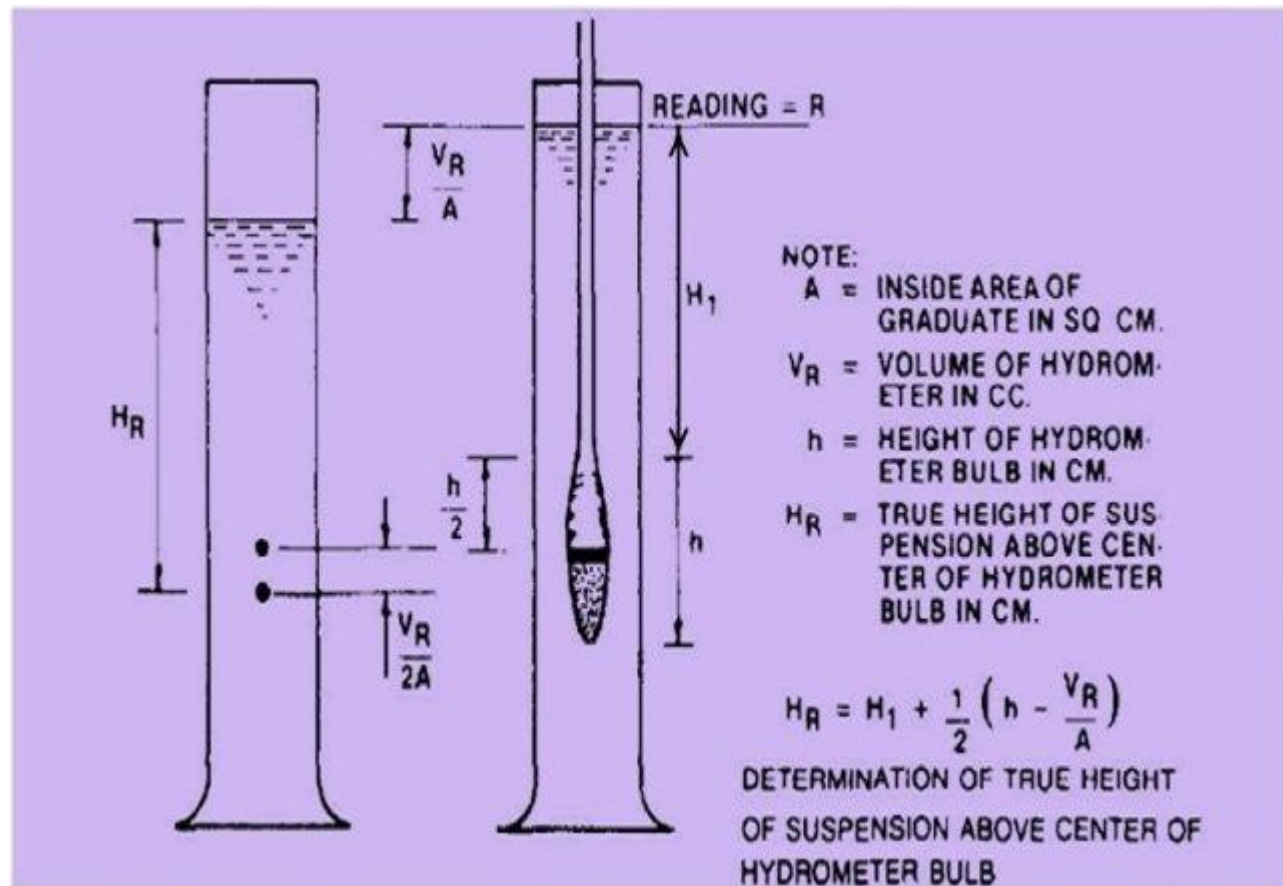
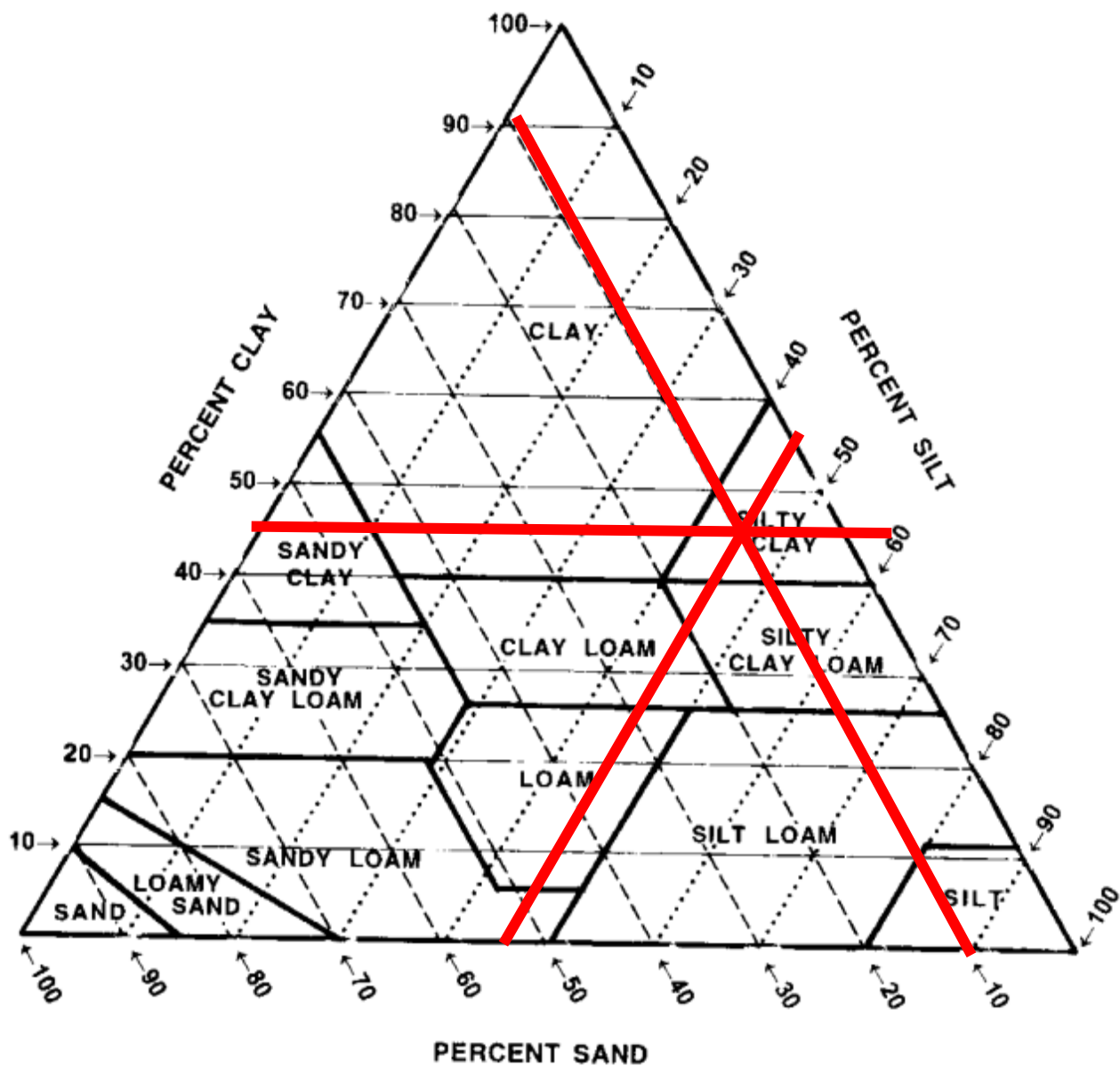


## The Size of Sand, Silt and Clay

Name	particle diameter
Very coarse sand	2.0 to 1.0 millimeters
Coarse sand	1.0 to 0.5 millimeters
Medium sand	0.5 to .25 millimeters
Fine sand	0.25 to 0.10 millimeters
Very fine sand	0.10 to 0.05 millimeters
Silt	0.05 to 0.002 millimeters
Clay	below 0.002 millimeters





**Feel test** – Rub some moist soil between fingers

- Sand feels gritty
- Silt feels smooth
- Clays feel sticky

**Ball squeeze test** – Squeeze a moistened ball of soil in the hand

- Coarse textures (sand or sandy loam) soils break with slight pressure
- Sandy loams and silt loams stay together but change shape easily
- Fine textured (clayey or clayey loam) soils resist breaking

**Ribbon test** – Squeeze a moistened ball of soil out between thumb and fingers

- Sandy or sandy soils won't ribbon
- Loam, silt, silty clay loam or clay loam soil ribbons less than 1 inch
- Sandy clay loam, silty clay loam or clay loam ribbons 1 to 2 inches
- Sandy clay, silty clay, or clay soil ribbons more than 2 inches

